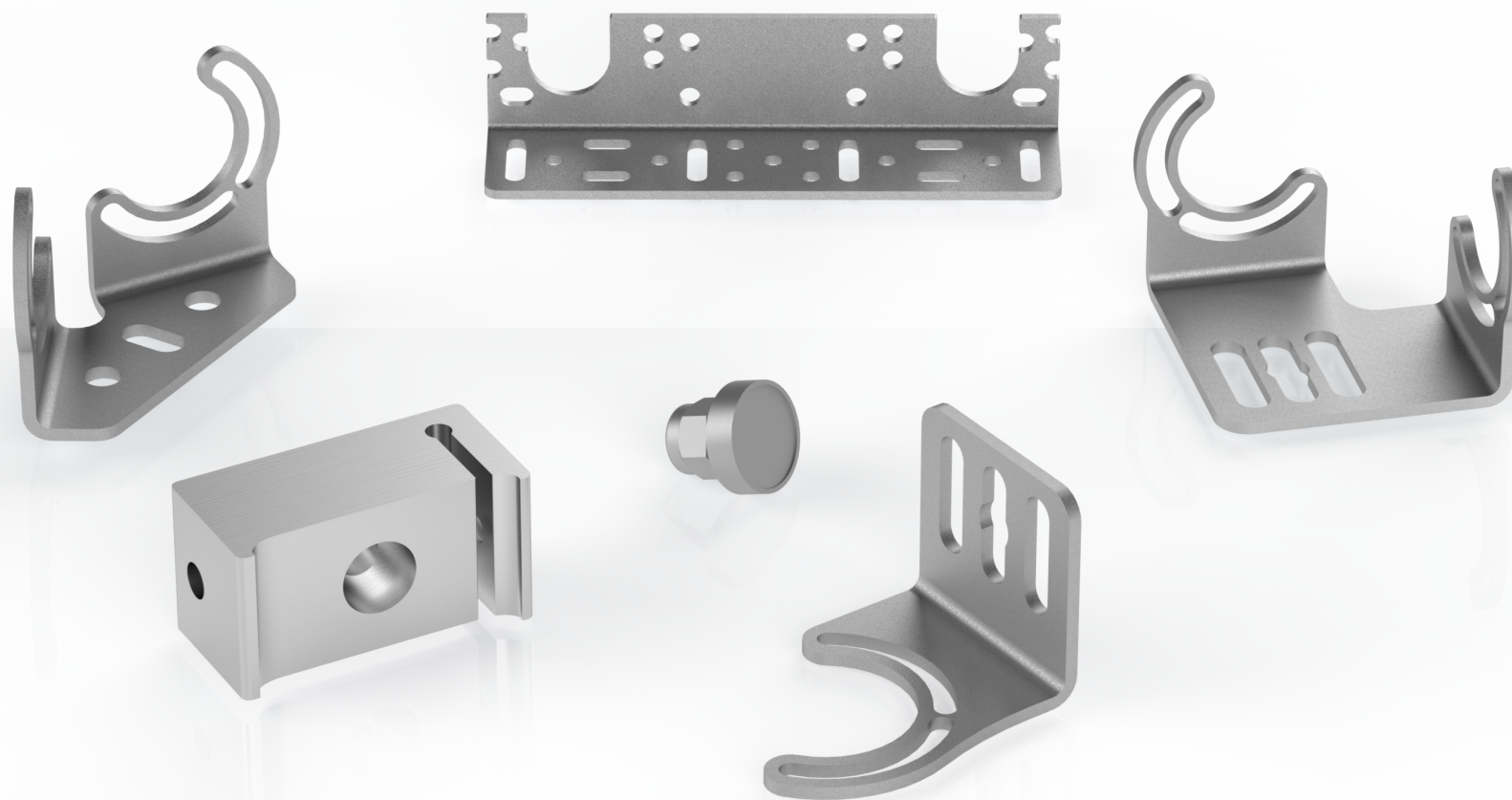


lumher



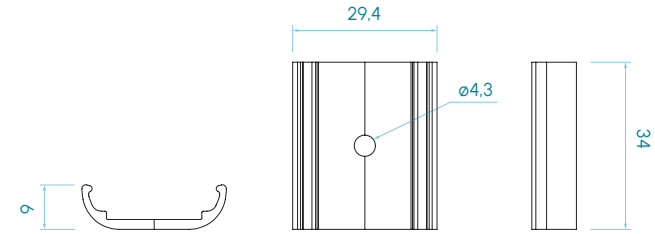
ACCESSORIES

Clamps, Fixings and brackets

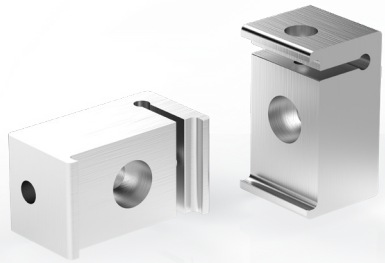
S Series - Plastic fastening clamps



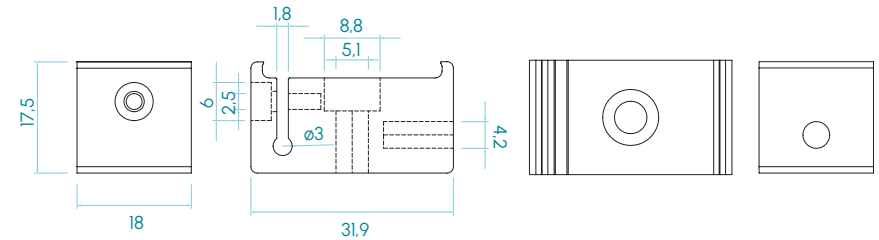
Part number	S00G2
Material	Resin
Orientation	Fixed at 0°
Packaging unit	2 units



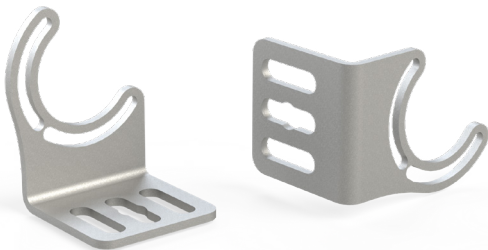
P Series - Aluminium fastening clamps



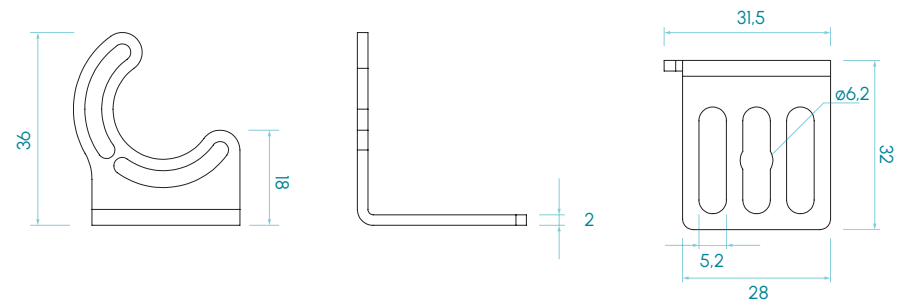
Part number	P0IG1
Material	Aluminium
Orientation	Fixed at 0°
Packaging unit	2 units



P Series - Rotary fixings

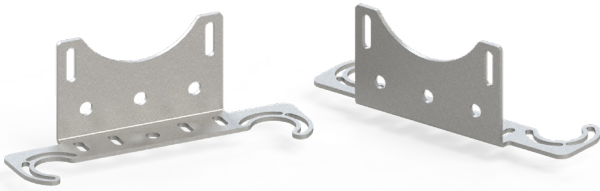


Part number	P0OR1
Material	Stainless steel
Fixed orientation	0° & 90°
Variable orientation	0° to 90°
Compatible with M6D16	
Packaging unit	2 units (left + right)

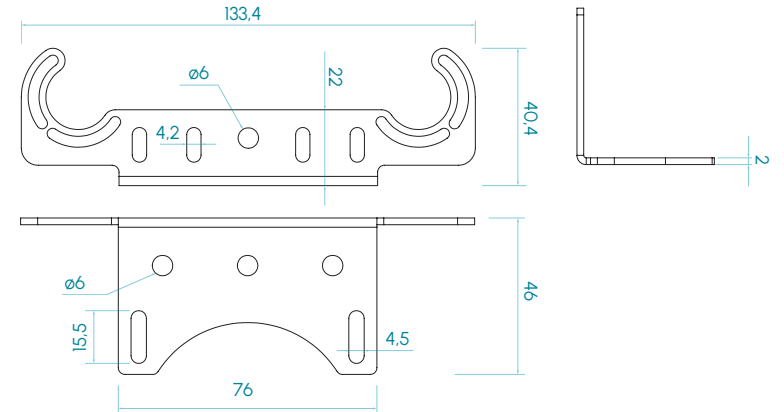


Dimensions in mm

P Series - Double Bar Rotary fixing



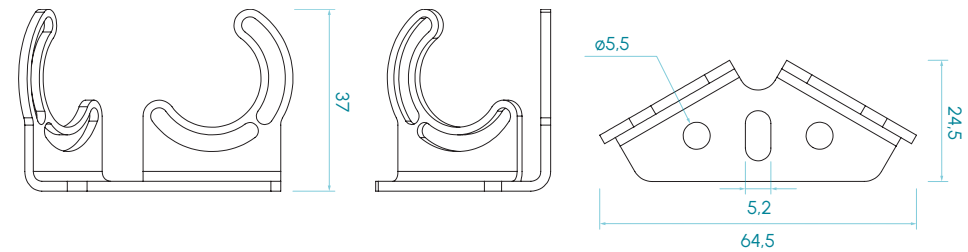
Part number	P00R2
Material	Stainless steel
Fixed orientation	0° & 90°
Variable orientation	0° to 90°
Packaging unit	2 units (symmetrical)



P Series - 60° double rotating fixings



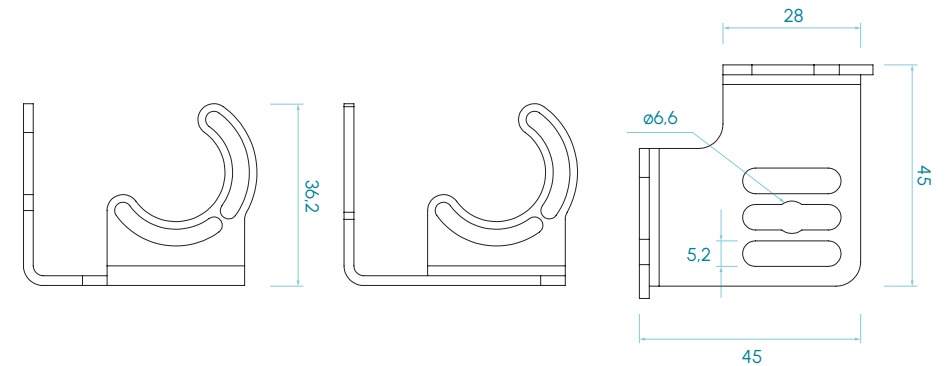
Part number	P00R3
Material	Stainless steel
Fixed orientation	0° & 90°
Variable orientation	0° to 90°
Packaging unit	3 units



P Series - 90° double rotating fixings



Part number	P00R4
Material	Stainless steel
Fixed orientation	0° & 90°
Variable orientation	0° to 90°
Compatible with M6D16	
Packaging unit	2 units (left + right)

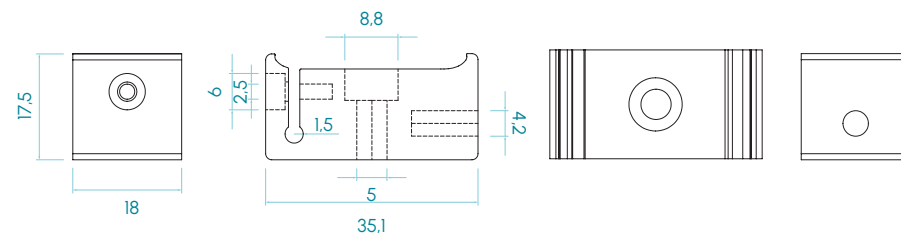


Dimensions in mm

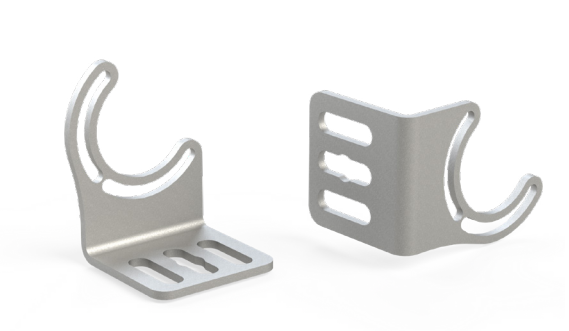
F Series - Aluminium fastening clamps



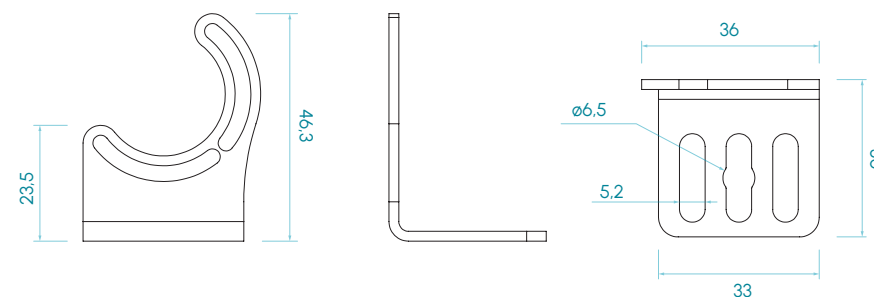
Part number	F0IG1
Material	Aluminium
Orientation	Fixed at 0°
Packaging unit	2 units



F Series - Rotary fixings



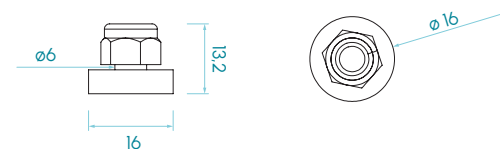
Part number	F0OR1
Material	Stainless steel
Fixed orientation	0° & 90°
Variable orientation	0° to 90°
Compatible with M6D16	
Packaging unit	2 units (left + right)



Magnet ø16 mm

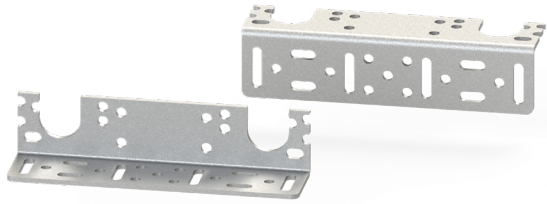


Part number	M6D16
Material	Stainless steel + neodymium
Compatibilidad	P0OR1, P0OR4, F0OR1
Packaging unit	2 units

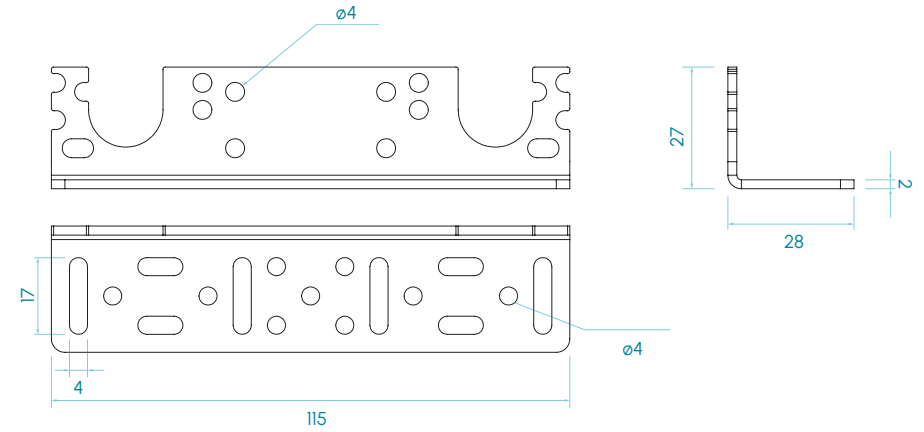


Dimensions in mm

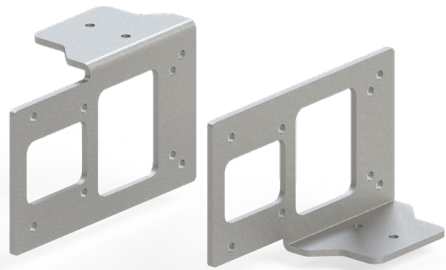
B and R Series - Lateral fixings



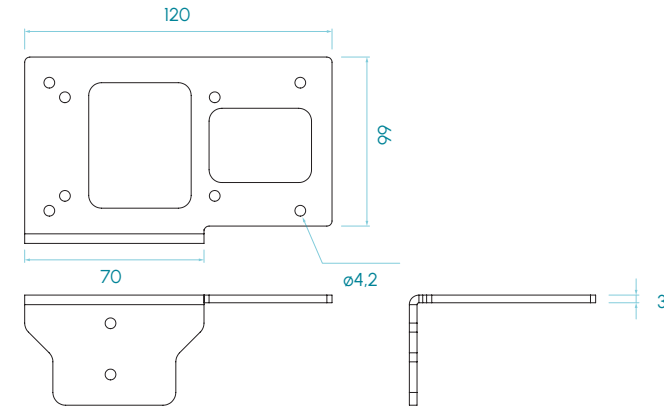
Part number	B00S1
Material	Stainless steel
Fixed orientation	0° & 90°
Packaging unit	1 unit



Fixing for Cognex 5000, 7000 Series cameras



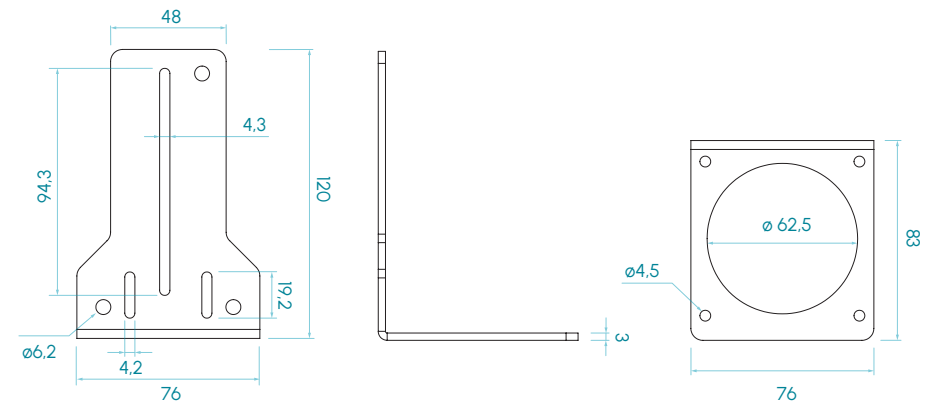
Part number	C00C1
Material	Stainless steel
Fixed orientation	90°
Packaging unit	1 unit



Fixing for Sensopart cameras

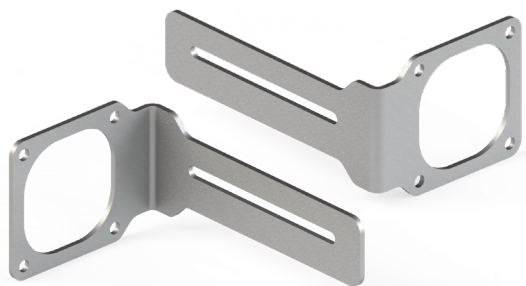


Part number	C00S1
Material	Stainless steel
Fixed orientation	90°
Variable feed rate	0 - 80 mm.
Packaging unit	1 unit

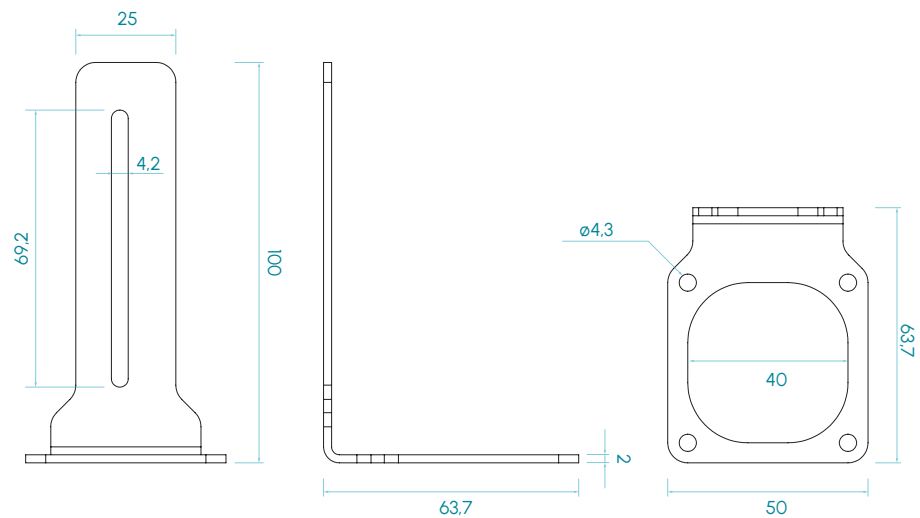


Dimensions in mm

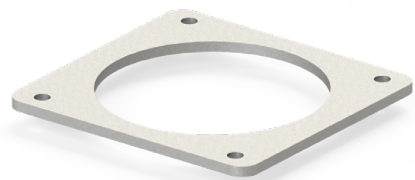
Sensopart camera fixing for Dome



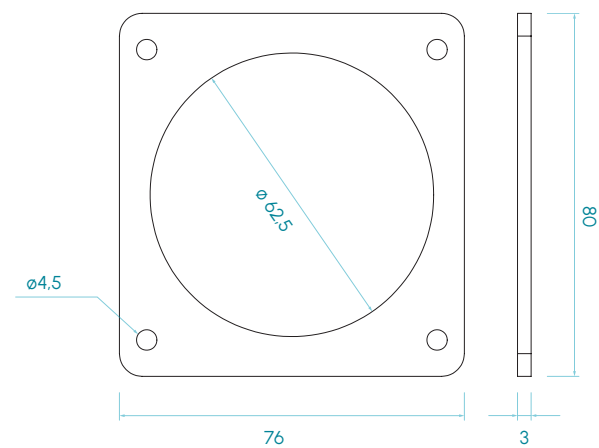
Part number	C00S2
Material	Stainless steel
Fixed orientation	90°
Variable feed rate	0 - 80 mm.
Packaging unit	1 unit



Universal flat camera fixing



Part number	C00F1
Material	Stainless steel
Packaging unit	1 unit



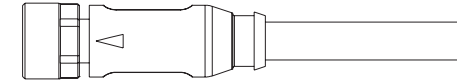
Dimensions in mm

Connectors

M8A Cable - Female



	1.5 m	M8A4VF015M
Part number	5 m	M8A4VF050M
	10 m	M8A4VF100M
M12A	4 pins	
Connector	Female straight	
Material	Insulating PVC	



M12A Cable - Female



	1.5 m	M12A4PF015M
Part number	5 m	M12A4PF050M
	10 m	M12A4PF100M
M12A	4 pins	
Connector	Female straight	
Material	Insulating PVC	

