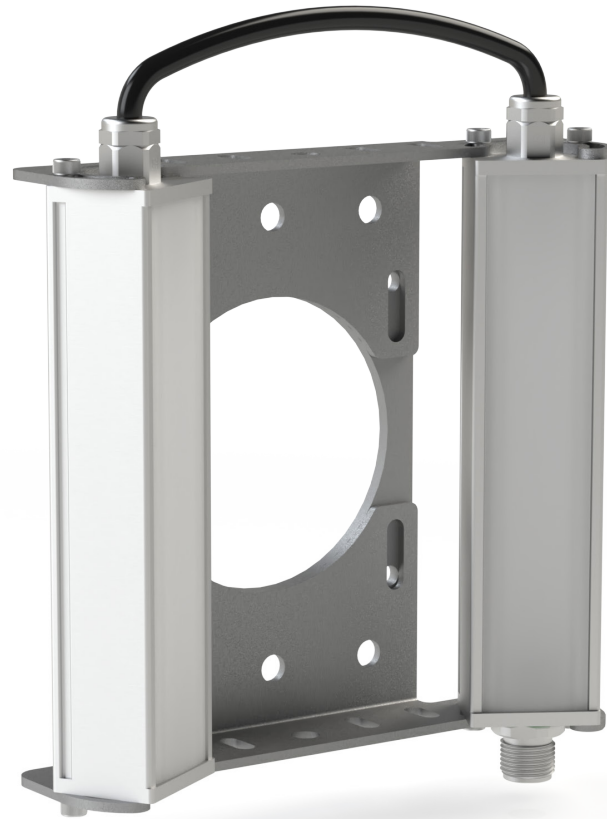


# Parallel · P2D Series Infrared 850 nm

lumher



24 V  
DC

NOT  
CASCADABLE

CABLE  
M12A

MACHINE VISION

CONTINUOUS 1x  
STROBE 4x

INTEGRATED  
CONTROLLER

IP40  
IP65

36  
MONTHS

MADE IN SPAIN

## Technical specifications

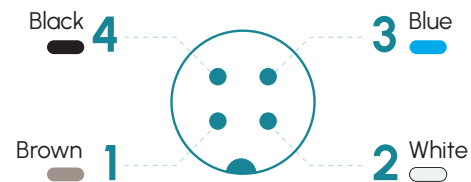
Power supply voltage	24 Vdc ±5%	
Trigger input	24 Vdc PNP / NPN	
Max. on time	Continuous = unlimited	Strobe = 10 ms
Max. working cycle	Continuous = 1	Strobe = 1/6
Max. consumption Trigger input	1,5 mA	
Max. number of cascadable modules	This luminaire is not cascadable	
Wavelength	Infrared	850 nm
Beam angle	Semidiffuse	60°
	Ultradiffuse	110°
Electrical protections	Transient overvoltages	YES
	Polarity reversal	YES
	Current sabilizer	YES
IP Rating	IP40 o IP65	
Protection type	Class III	
Operating temperature	-10 °C to +40 °C	
Storage temperature	0°C to +60 °C	
Max. relative humidity	80% (without condensation)	
Body material	Anodized aluminum	
Side cover material	Anodized aluminum	
Diffuser material	Polycarbonate	
Connection types	M12A, 2m cable, M12A connector with cable	
Standards	RoHs, CE	

# P2D · 850 nm

## Connection

M12A input - Cable	Continuous	Master Continuous - Strobe
Pin 1 - Brown	+24 Vdc	+24 Vdc
Pin 2 - White	Not connected	Trigger NPN
Pin 3 - Blue	0 Vdc	0 Vdc
Pin 4 - Black	Not connected	Trigger PNP

### M12A Male



### Fixings

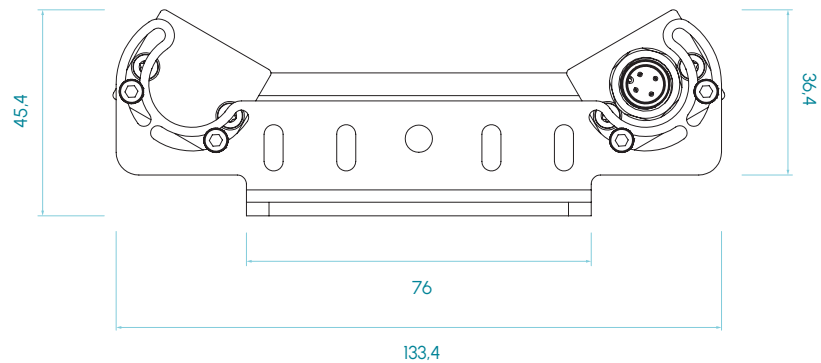
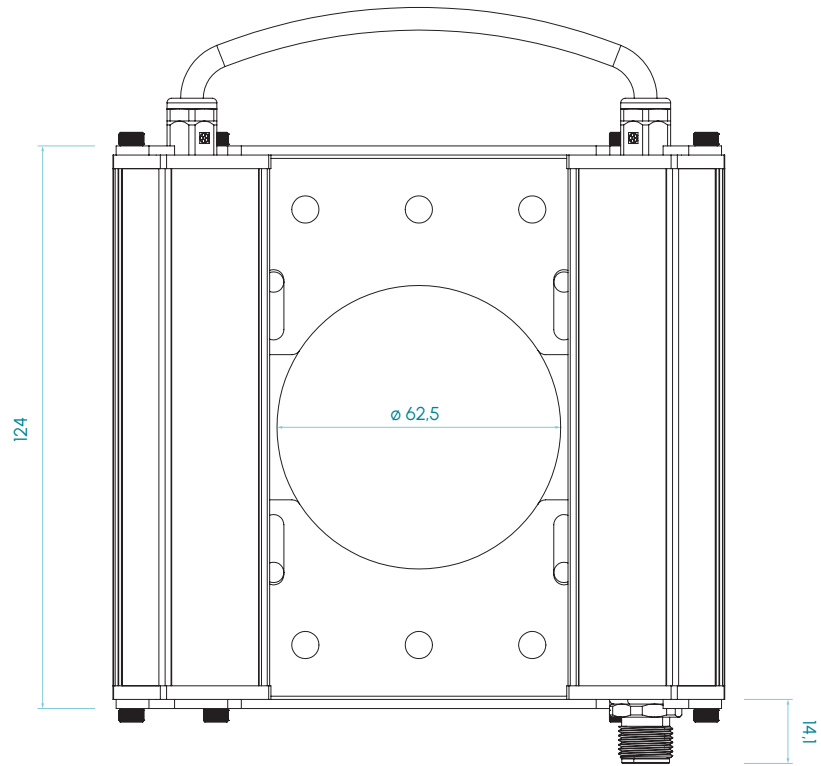
C00F1, P00R2



# lumher

## Measures

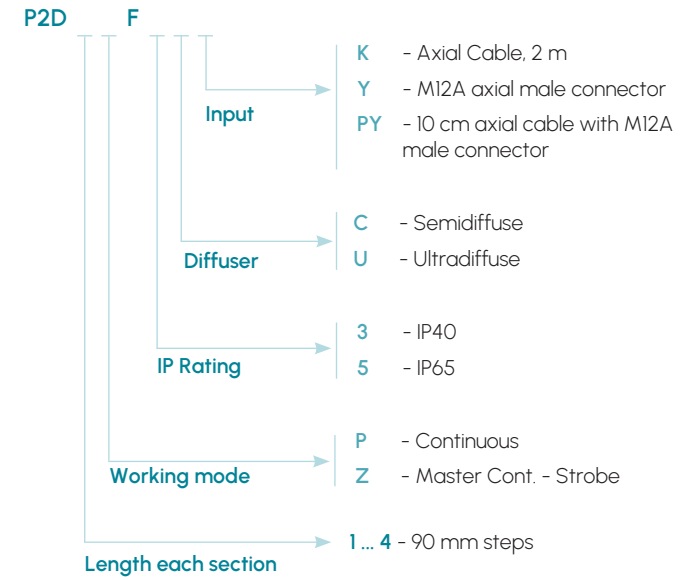
IP40 / IP65



Measures in mm

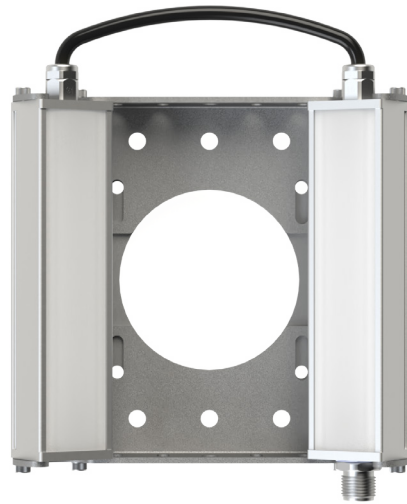
# P2D · 850 nm

## Selection guide



lumher

## Model P2D · Infrared 850 nm



**850nm**

INFRARED



SEMI-DIFFUSE  
60°



ULTRA-DIFFUSE  
110°

PHOTOBIOLOGICAL  
RISK

RG1 - LOW

**60.000h**

LIFESPAN

### Table of characteristics

	Width (mm)	Length (mm)	Weight (g)	Radiated power <sup>(1)</sup> (W)		Power consumed (W)	
				CONT.	STROBE	CONT.	STROBE
				P2D 1...	135	124	427
P2D 2...	135	215	780	1,6	6,4	4,0	16,0
P2D 3...	135	305	1.130	2,4	9,6	6,0	24,0
P2D 4...	135	395	1.480	3,2	12,8	8,0	32,0

(1) The radiated power (W) is before the diffuser.