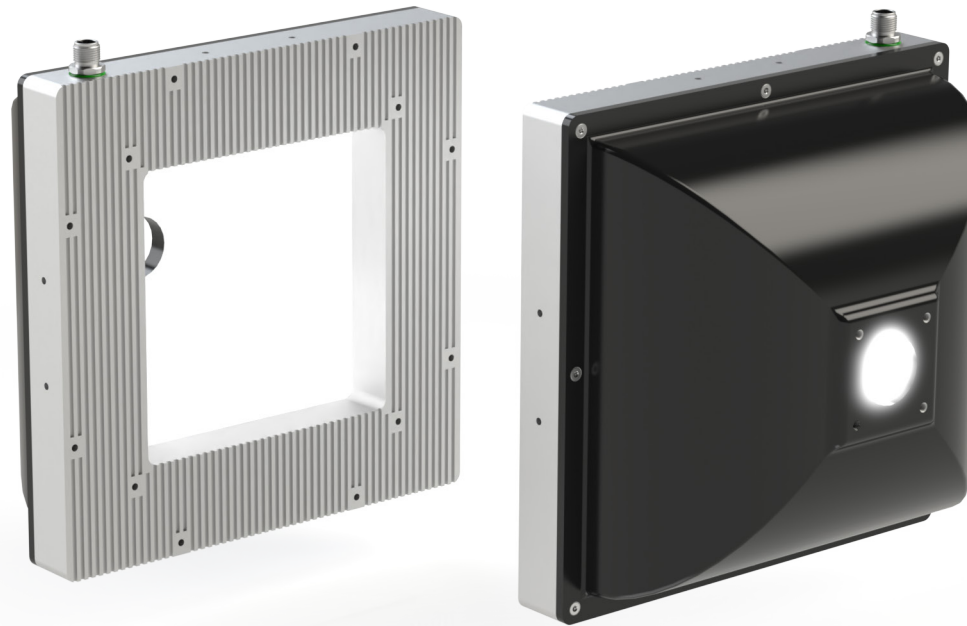


Domo · DD Series White 5000K

lumher



24 V
DC

NOT
CASCADABLE

IP65

M12A

MACHINE VISION

CONTINUOUS 1x
STROBE 4x

INTEGRATED
CONTROLLER

36
MONTHS

EU
MADE IN SPAIN

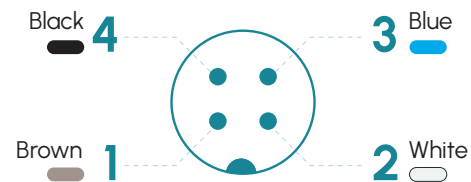
Technical specifications

Power supply voltage	24 Vdc \pm 5%	
Trigger input	24 Vdc PNP / NPN	
Max. on time	Continuous = unlimited	Strobe = 10 ms
Max. working cycle	Continuous = 1	Strobe = 1/6
Max. consumption Trigger input	1,5 mA	
Max. number of cascadable modules	This luminaire is not cascadable	
Wavelength	White	5000 K
Electrical protections	Transient overvoltages	YES
	Polarity reversal	YES
	Current sablizer	YES
IP Rating	IP65	
Protection type	Class III	
Operating temperature	-10 °C to +40 °C	
Storage temperature	0°C to +60 °C	
Max. relative humidity	80% (without condensation)	
Body material	Anodized aluminum	
Diffuser material	Methacrylate	
Connection types	M12A connector	
Standards	RoHs, CE	

Connection

M12A input	Continuous	Master Continuous - Strobe
Pin 1 - Brown	+24 Vdc	+24 Vdc
Pin 2 - White	Not connected	Trigger NPN
Pin 3 - Blue	0 Vdc	0 Vdc
Pin 4 - Black	Not connected	Trigger PNP

M12A Male



Fixings

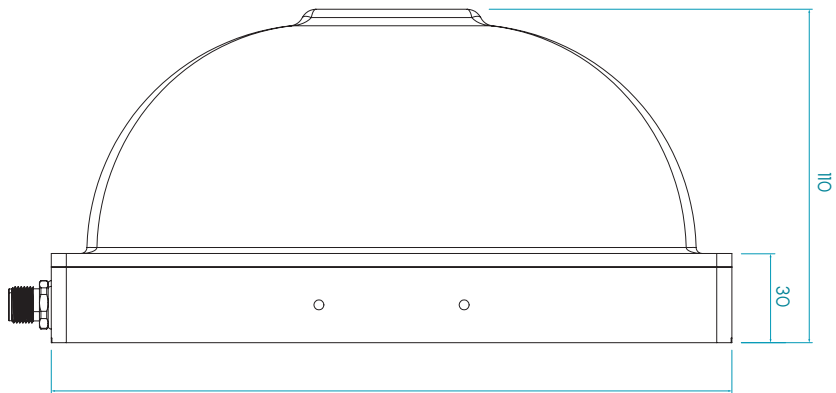
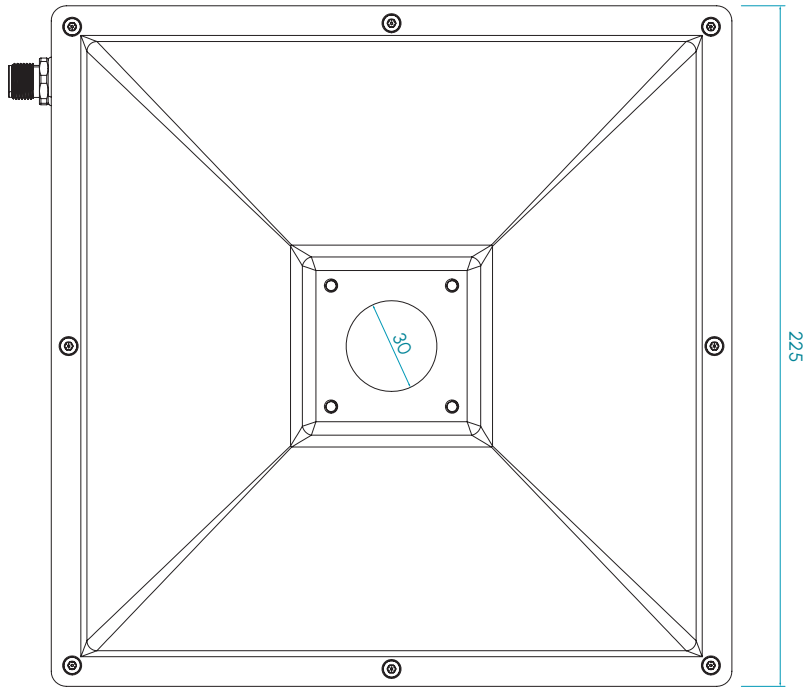
B00S1

DD · 5000K



lumher

Measures



Measures in mm

225

Selection guide

DD2 D 5 T Y

Working mode

- P - Continuous
- Z - Master Cont. - Strobe

DD · 5000K

lumher

Model DD · White 5000K



5000K

WHITE



TRANSPARENT

PHOTOBIOLOGICAL
RISK

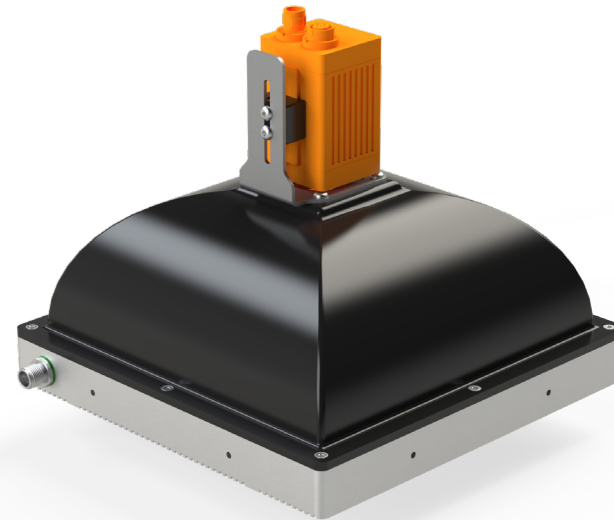
RG1 - LOW

60.000h

LIFESPAN

Table of characteristics

DD 2 ...	Width	Height	Weight	Luminous flux ⁽¹⁾		Power consumed	
	(mm)	(mm)	(g)	(lm)		(W)	
				CONT.	STROBE	CONT.	STROBE
DD 2 ...	225	225	1.760	2.432	9.728	15,2	60,8



(1) The luminous flux (lm) is before the diffuser.

lumher